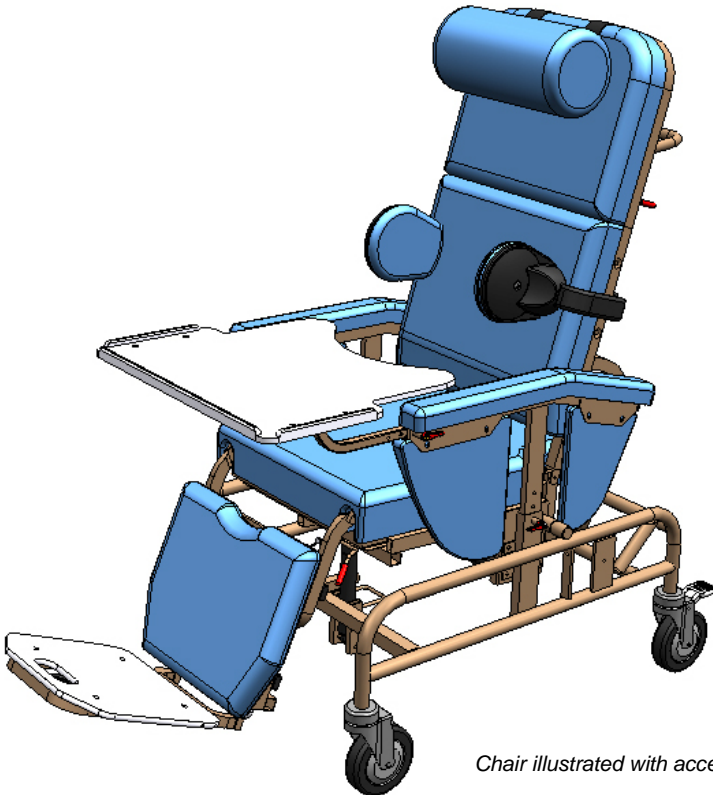




**LPA MEDICAL INC.**  
**OPTIMUM** seating and  
positioning system

## OPTIMUM POSTURO-PEDIC CHAIR SERIES 1000



*Chair illustrated with accessories*

## USER'S GUIDE

**LPA MEDICAL INC., 2527 Avenue Dalton, Quebec, Canada, G1P 3S6**  
Tel : (418) 681-1313, 800-663-4863 Fax : (418) 681-4488  
[lpa@lpamedical.com](mailto:lpa@lpamedical.com) <http://www.lpamedical.com>

**OPTIMA PRODUCTS INC., 2230 Edgewood Avenue – STE 3A, St. Louis Park, MN 55426 USA**  
US Office: (952) 745-0027 Toll free: 1-888-990-9394 Fax : (952) 745-0197  
<http://www.optimaol.com>

# IMPORTANT RECOMMENDATIONS

## MOVING THE OPTIMUM CHAIR

To facilitate straight-line movement, the left-front directional wheel must be locked.

**FOR YOUR SAFETY, ALWAYS SUPPORT THE PARTS DURING ADJUSTMENTS**

## STORAGE AND PARKING OF THE OPTIMUM CHAIR

To prevent the deforming of, and damage to, non-metal parts and the covering, the chair must be kept away from direct heat sources (radiators).

To avoid accidents, the brakes must always be applied when the chair is parked.

# INTERIOR METAL COMPONENTS :

In order to easily reach these metal parts, place the chair on its back as illustrated in Figure 2.

To facilitate the upending of the chair, back the chair up a few centimetres (A) to turn the wheels towards the front (B), apply the brakes (C), see figure 1.

Pull on the steering bar while keeping the chair's balance, and support it in order to place the back on the floor. See figure 2

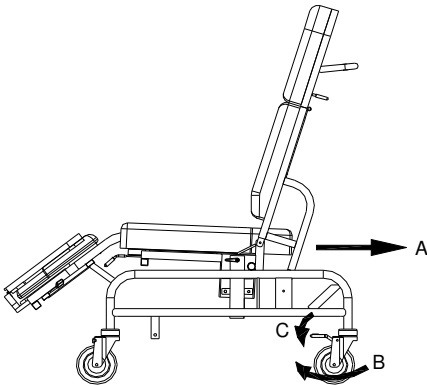


Figure 1

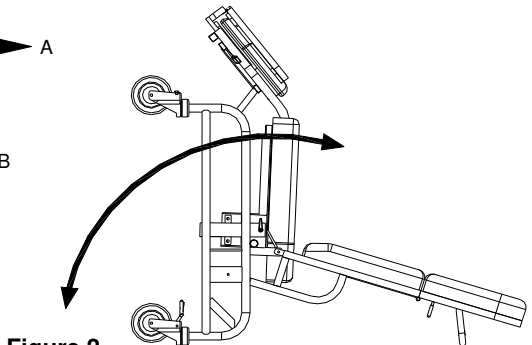


Figure 2

In this position, after having completely lifted the footrest, all the normally non-visible parts are easily accessible for cleaning.

# OPTIMUM CHAIR MAINTENANCE

To insure a maximum performance of the chair, it is necessary that it be kept clean and that the parts be adjusted properly.

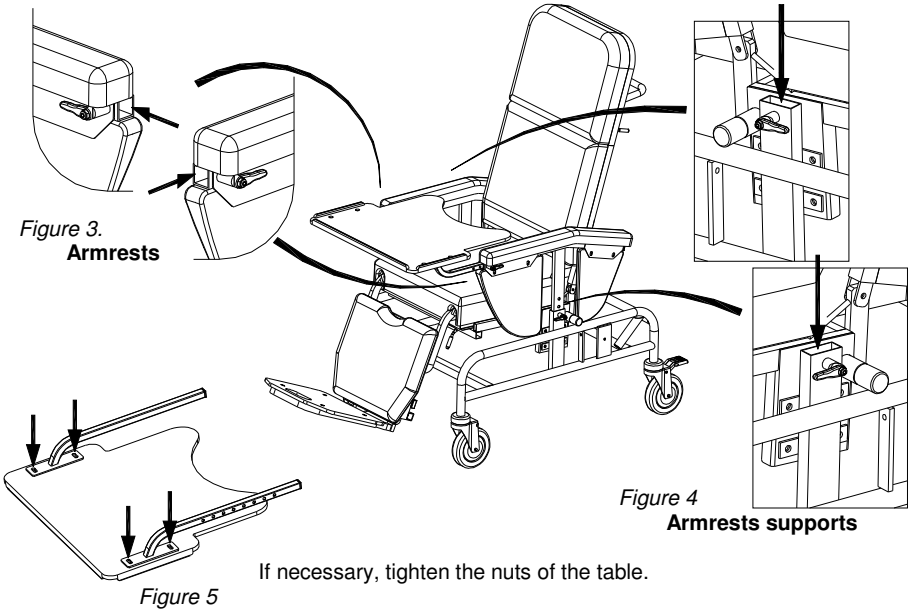
## COVERING:

The surfaces covered in vinyl must be washed with a mild detergent diluted or dissolved in water when needed. For best cleaning results for these surfaces, the armrests must be taken off and their lateral surfaces cleaned. If necessary, a mild clear disinfectant can be used for hygienic purposes.

## PREVENTIVE MAINTENANCE:

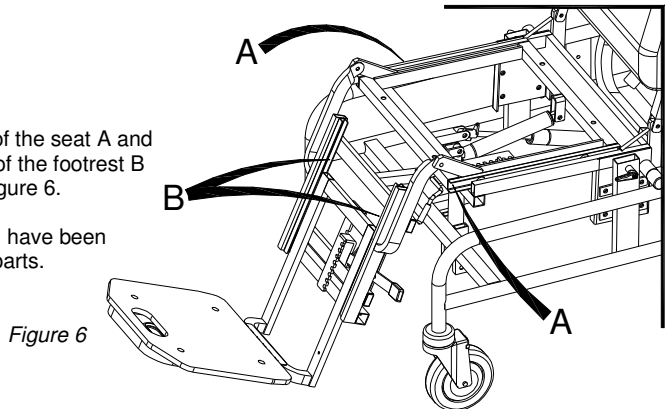
Metal parts of the chair must also be cleaned when needed using the same solution as for the coverings. Special care, however, must be taken with regard to the interior of the sliding tubing as seen in the figure 3 and 4.

Each of these must be cleaned and dried thoroughly to prevent any corrosion of the metal.

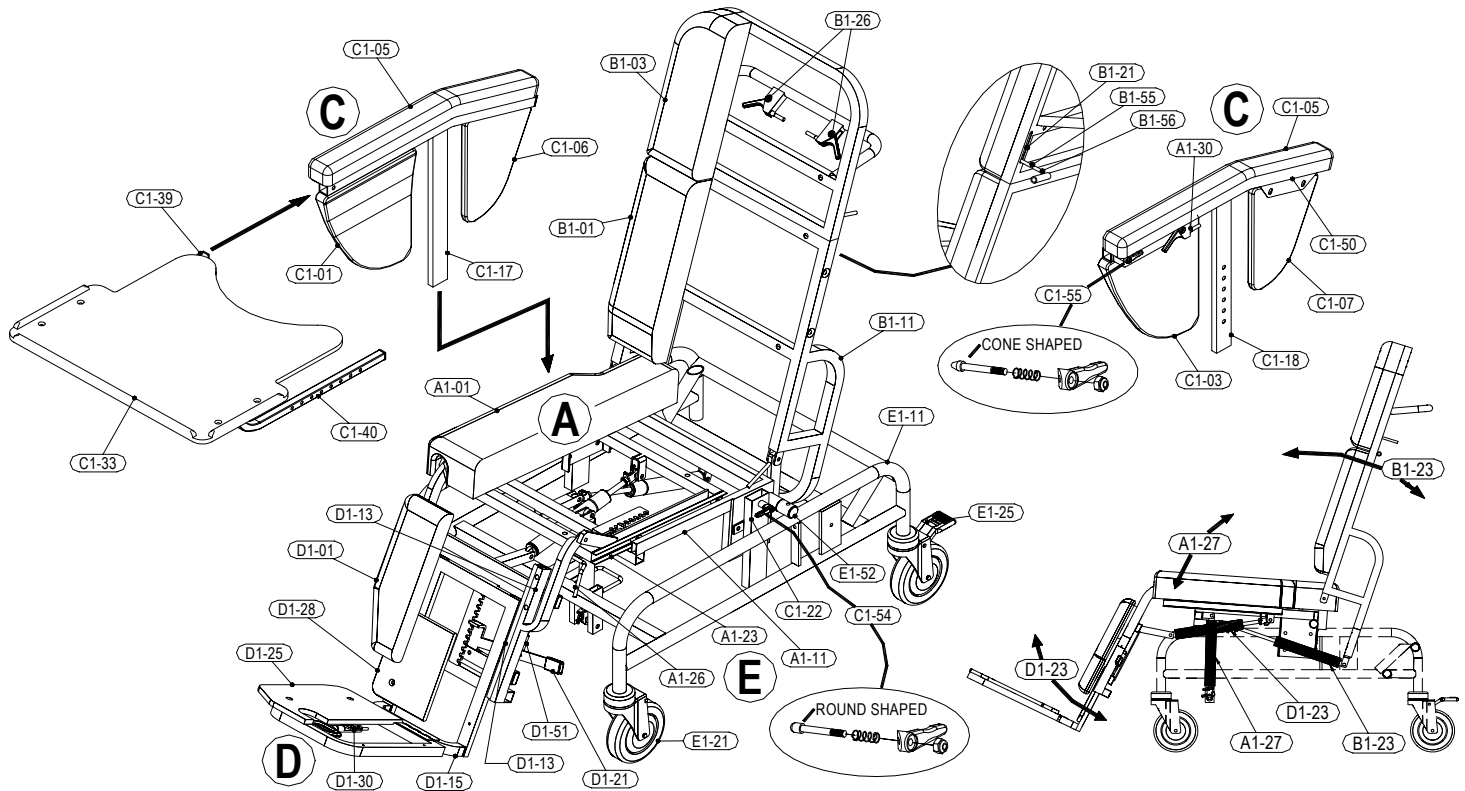


Lubricate the shaped part of the seat A and the interior of the two rails of the footrest B to maintain easy sliding. Figure 6.

\* In the figure 6, all cushion have been removed to see clearly all parts.



**PARTS LIST**  
**OPTIMUM POSTURO-PÉDIC CHAIR**  
**SERIE 1000**



**TO ORDER PARTS PLEASE INDICATE: SERIES No., MODEL No., PART No. AND COLOR**

PARTS No	DESCRIPTION	COLOUR	ILLUSTRATED	MODEL	PARTS No	DESCRIPTION	COLOUR	ILLUSTRATED	MODEL	PARTS No	DESCRIPTION	COLOUR	ILLUSTRATED	MODEL
<b>SEAT</b>										<b>FOOTBOARD</b>				
A1-01	Cushion 43 cm (17")	x	x		B1-40	Cylinder's metal brakert for double cables			1300	D1-01	Cushion legrest 43 cm (17")	x	x	
A1-02	Cushion 50 cm (20")	x			B1-42	Screws & nuts for back pivot 10 mm (3/8")				D1-02	Cushion legrest 50 cm (20")	x		
A1-11	Frame fixed 43 cm (17")		x	1100-1200	B1-54	Spacers (2), 10 mm (3/8") pin				D1-05	Heelrest's band		x	
A1-12	Frame fixed 50 cm (20")			1100-1200	B1-55	Stem, back upper locking				D1-06	Nylon holding band, footboard			
A1-13	Frame fixed 43 cm (17")			1300	B1-56	Plugs (2), stem back upper locking				D1-13	Frame legrest 43 cm (17")			x
A1-14	Frame fixed 50 cm (20")			1300	B1-59	Screws, lower & upper cushions (8)				D1-14	Frame legrest 50 cm (20")			
A1-23	Sliding frame 43 cm (17")		x		B1-60	Screws, shoulders support cushion (4)				D1-15	Frame, sliding footboard			x
A1-24	Sliding frame 50 cm (20")				B1-70	Lateral trunk support right 15cm (6")	x			D1-16	Frame extension 5cm (2") for 43cm (17")			
A1-26	Handle depth adjustment	x			B1-71	Lateral trunk support left 15cm (6") C	x			D1-17	Frame extension 5cm (2") for 50cm (20")			
A1-27	Cylinder elevating, tilt fonction, 200N 2.5 cm (1")	x			B1-72	Lateral trunk support right 10cm (4")	x			D1-21	Handle, footboard length for 43cm (17")			
A1-28	Metal brakert for cable on cylinder 2.5 cm (1")			1100-1200	B1-73	Lateral trunk support left 10cm (4")	x			D1-22	Handle, footboard length for 50cm (20")			
A1-29	Double metal brakert for cable on cylinder 2.5 cm (1")			1300	B1-74	Contour back cushion 10cm (4") for 43cm (17")	x			D1-23	Cylinder elevating, 200N, 2.5 cm (1")			x
A1-30	Lever tilt operation with cable under left armrest				B1-75	Contour back cushion 10cm (4") for 50cm (20")	x			D1-24	Lever & cable holder for cylinder 2.5cm (1")			
A1-31	Foldaway's brakert perinial abductor				B1-76	Contour back cushion 15cm (6") for 43cm (17")	x			D1-25	Plastic footboard 47.5cm (19")			x
A1-32	Foldaway's metal brakert perinial abductor				B1-77	Contour back cushion 15cm (6") for 50cm (20")	x			D1-26	Plastic footboard 40cm (16")			
A1-33	Cylinder extension, 5 cm (2") lowering seat				B1-78	Extension upper back sect. 7.6cm (3") 43cm (17")	x			D1-27	Plastic footboard 32.5cm (13")			
A1-51	Spring, handle depth adjustment 5 cm (2")			1100-1200	B1-79	Extension upper back sect. 7.6cm (3") 50cm (20")	x			D1-28	Plastic heels protector 35cm (14")			x
A1-52	Bolt, handle depth adjustment			1300	<b>ARMRESTS</b>					D1-29	Plastic heels protector 28cm (11")			
A1-53	White plastic sliding guides (4)				C1-01	Panel front, right armrest upholstery	x	x		D1-30	Cylinder activating mechanism			x
A1-54	Plugs (2), plastic square 23 mm (7/8")				C1-03	Panel front, left armrest upholstery	x	x		D1-31	Plastic plugs, handle footboard length			
A1-55	Plugs (2), plastic rectangular (black)				C1-05	Cushion	x	x		D1-35	Metal brakert, right cushion, lateral legs protector			
A1-56	Screws, holding cushion (4)				C1-06	Panel rear, left armrest upholstery	x	x		D1-36	Metal brakert, left cushion, lateral legs protector			
A1-57	Locking spring, foldaway perinial abductor				C1-07	Panel rear, right armrest upholstery	x	x		D1-51	Spring, angular adjustment legrest 4 cm (1 1/2")			
A1-58	Screws, foldaway perinial abductor (2)				C1-17	Tubing, right sliding armrest		x		D1-52	Sliding plastic guides (2)			
A1-59	Spacers, seat height reduction (2)				C1-18	Tubing, left sliding armrest		x		D1-53	Lock, lateral legs protector (springs)(2)			
A1-60	Washers, seat height reduction (2)				C1-21	Tubing, right armrest holding for 4 X 1 cm (1 1/2 X 1/2")			1100-1200	D1-54	Spacer plate legrest			
A1-61	Socket set screws, seat height reduction (2)				C1-22	Tubing, left armrest holding for 4 X 1 cm (1 1/2 X 1/2")		x	1100-1200	D1-55	Square spacer, heels protector			
A1-62	Plastic plugs, handle depth adjustment				C1-23	Tubing, right armrest holding for 4 X 1 cm (1 1/2 X 1/2")			1300	D1-56	Plugs, plastic rectangular (8)			
<b>BACK</b>					C1-24	Tubing, left armrest holding for 4 X 1 cm (1 1/2 X 1/2")			1300	D1-57	Screws, footboard (4)			
B1-01	Cushion, lower part 43 cm (17")	x	x		C1-29	Tubing, right armrest holding for 5 cm (2") lowering seat			1300	D1-58	Screws, heels protector (2)			
B1-02	Cushion, lower part 50 cm (20")	x			C1-30	Tubing, left armrest holding for 5 cm (2") lowering seat			1300	D1-59	Screws, legrest cushion (2)			
B1-03	Cushion, upper part 43 cm (17")	x	x		C1-33	Lap tray 43 cm (17")			x	D1-60	Spring, holding cable 4 cm (1 1/2")			
B1-04	Cushion, upper part 50 cm (20")	x			C1-34	Lap tray 50 cm (20")				D1-61	Screws, upholstery, lateral legs protector (4)			
B1-05	Cushion, cervical support	x			C1-35	Thick lap tray 43 cm (17")				D1-62	Bolts, legrest frame and seat (2)			
B1-06	Cushions, shoulders support (pair)	x			C1-36	Thick lap tray 50 cm (20")				D1-70	Right cushion lateral legs protector			x
B1-07	Cushions for structural lateral support	x			C1-37	Lexan lap tray 43 cm (17")				D1-71	Left cushion lateral legs protector			x
B1-08	Plastic cover for structural lateral support				C1-38	Lexan lap tray 50 cm (20")				D1-72	Front cushion belt, lateral legs protector			x
B1-11	Frame lower & upper part 43 cm (17")		x		C1-39	Tubing, right arm tray			x	<b>OTHERS</b>				
B1-12	Frame lower & upper part 50 cm (20")				C1-40	Tubing, left arm tray			x	E1-11	Frame, base 43 cm (17")			x
B1-15	Frame adjustable tension back 43cm (17")				C1-41	Heavy duty tubing, right arm for tray				E1-12	Frame, base 50 cm (20")			
B1-16	Frame adjustable tension back 50cm (20")				C1-42	Heavy duty tubing, left arm for tray				E1-21	Wheel, 12.5 cm (5") front swivel with directional lock			x
B1-21	Tubing, back upper locking				C1-43	Tubing, armrest extension				E1-24	Wheel, 12.5 cm (5") front swivel			
B1-22	Bracket, shoulders support				C1-50	Armrest plastic protectors (2)				E1-25	Wheel, 12.5 cm (5") swivel w/ break, rear			x
B1-23	Cylinder, 300N, 2.5 cm (1"), recline fonction		x		C1-51	Bolts tubing, armrest holding (8)			1100-1200	E1-26	12.5 cm (5") wheel only			
B1-24	Cylinder's metal brakert for cable				C1-52	Bolts tubing, armrest holding (8)			1300	E1-27	60 cm (24") wheel			
B1-26	Lever and cable, tilt- in space	x		1300	C1-53	Bolts lap tray (4)				E1-28	Bracket installation kit, 60 cm (24") wheel			
B1-31	Slotted plate, right				C1-54	Lock mechanism, armrest holding (2)			x	E1-29	Wheel breaks, 60 cm (24") wheel (pair)			
B1-32	Slotted plate, left				C1-55	Lock mechanism, lap tray			x	E1-30	Rear anti- tip for 60 cm (24") wheel			
B1-33	Structure for trunk support				C1-56	Screws, upholstery side panel (8)				E1-51	Stem fixing expansible for 12.5cm & 20cm (5" & 8") wheel			
B1-34	Lock for structural lateral supports and shoulders support				C1-57	Screws, armrest cushion (4)				E1-52	Pin, seat frame fixing			
B1-35	Retainer plate left for structural lateral supports and shoulders support				C1-58	Screws, armrest extension (4)				E1-53	Bolts, pin fixing seat (2)			
B1-36	Retainer plate right for structural lateral supports and shoulders support				C1-70	Cushion armrest extension		x						

# LPA MEDICAL WARRANTY

## TERMS & CONDITIONS

### GENERAL:

- All items & prices listed are subject to change without notice. We reserve the right to change and/or improve any product as deemed advisable without notification. Shipments will be made at prevailing prices at time of shipment.

### ORDERS:

- When ordering, specify model or part number, quantities and colour where applicable.

### FREIGHT CLAIMS:

- LPA MEDICAL can not accept claims for merchandise that has been damaged in transit. Examine all merchandise upon delivery. If damage has occurred, it is the consignee's responsibility to file a claim with the carrier immediately if damage is apparent upon delivery, or within 5 days if it is subsided damage.

### RETURN GOODS

- Merchandise to be returned must have prior written authorisation from our Customer Service Department. All request must include the following information:

Reason for requested return

LPA MEDICAL invoice or acknowledgement number

LPA MEDICAL model or part number and number of cartons and items being returned.

Unauthorised returns will not be accepted. All authorised returns must be shipped pre-paid except where there has been an error in processing or a defect in materials or workmanship, in which case Customer Service will issue special instructions.

### WARRANTY

- LPA MEDICAL warranty covers all defects in workmanship, except the exclusions listed in the not covered section below, for the following periods of time from date of purchase:

Lifetime for metal parts (frame): R-505, R-605, R-705, T-40, U-110, U-120, W-2, Z-15, Z-25 chairs

5 years for metal parts (frame): C-207, Optimum, O-07, R-505/605/705-SHD, S-150, S-250, Z-45 chairs

3 years only for auto lock glider mechanism

1 year for all other mechanism, gas spring cylinder or mechanical lock, control cable, wheels & casters, tray, upholstery.

If service is required under this warranty, contact our Customer Service Department with the following information:

1- Model or part number involved

2- Date of purchase, including LPA MEDICAL invoice or acknowledgement number

3- A description of the problem.

### WHAT LPA MEDICAL WILL COVER

- LPA MEDICAL will at our option repair or replace at no charge to you, the original purchaser, the defective product or parts during the periods of given time

### WHAT LPA MEDICAL WILL NOT COVER

- Normal wear and tears (frame, wheels, fabrics)
- Accidental damage including fire and water
- Fabric facing and metal oxidation (rust)
- Cost of transportation to or from LPA MEDICAL factory
- Unauthorised repairs made or attempted
- Damage resulting from abnormal or unreasonable use.

### Your Rights Under Province or state law

This warranty gives you specific legal rights, you may also have other rights which vary from Province to Province or State to State.

**SPECIAL NOTES ABOUT WHEELCHAIR TIE-DOWN WHILE TRANSPORTED**

**LPA Medical** recommends that wheelchair users NOT be transported in vehicles of any kind while seated in wheelchairs.

As of this date, the Department of Transportation has not approved any Tie down systems for transportation of a user while in a wheelchair, in a moving vehicle of any type.

It is **LPA Medical's** position that users of wheelchairs should be transferred into appropriate seating in vehicles for transportation and use be made of the restraints made available by the automobile industry.

**LPA Medical** cannot and does not recommend any wheelchair transportation systems.

**REGARDING RESTRAINTS - SEAT POSITIONING STRAPS - IT IS THE OBLIGATION OF THE DEALER, THERAPIST, TRANSPORTER AND OTHER HEALTH CARE PROFESSIONAL IN CHARGE TO DETERMINE IF A SEAT POSITIONING STRAP IS REQUIRED TO ENSURE THE SAFE OPERATION OF THIS EQUIPMENT BY THE USER. SERIOUS INJURY CAN OCCUR IN THE EVENT OF A FALL FROM A WHEELCHAIR.**

IN THE EVENT OF A DISCRÉPANCY BETWEEN THE USERS GUIDE AND THIS WEB SITE, THE LATTER SHALL PREVAIL.

---

**FOR YOUR RECORDS**

***Purchaser's record for***  
**LPA MEDICAL WARRANTY**

Date of purchase

---

Purchased from

---

Address

---

---

Model No, serial No. and quantity

---

# OPTIMUM POSTURO-PEDIC CHAIR SERIES 1000



**LPA MEDICAL INC.**  
**OPTIMUM** *seating and  
positioning system*

**2527 Avenue Dalton, Quebec, Canada, G1P 3S6**

Tel : (418) 681-1313, 800-663-4863

Fax : (418) 681-4488

[lpamedical.com](mailto:lpamedical.com)

<http://www.lpamedical.com>



**2230 Edgewood Avenue – STE 3A, St. Louis Park, MN  
55426, USA**

US Office: (952) 745-0027 Toll free: 1-888-990-9394

Fax : (952) 745-0197

<http://www.optimaol.com>